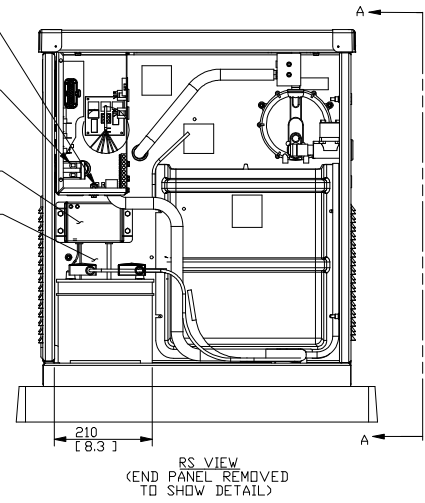
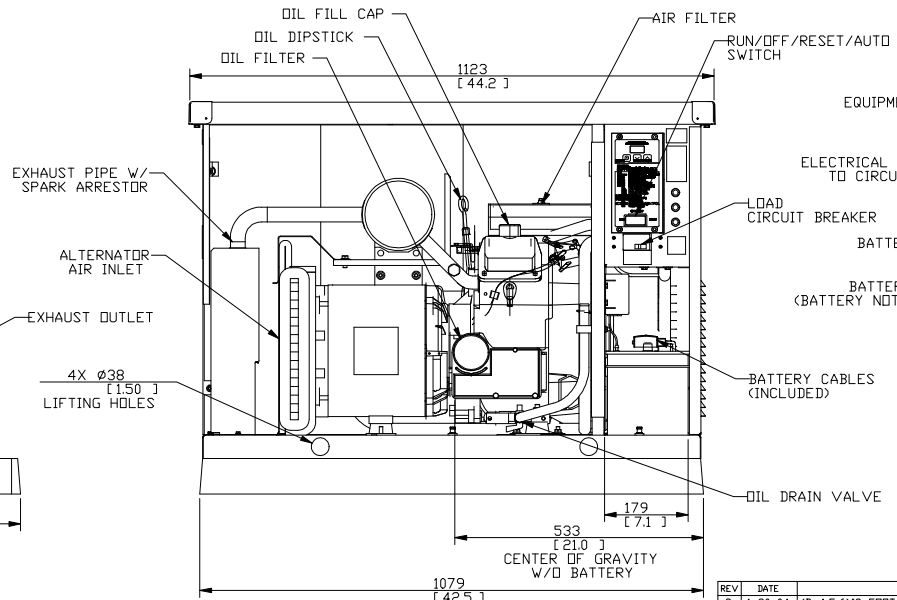
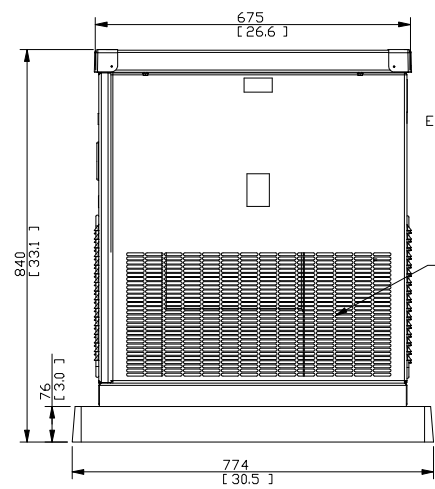
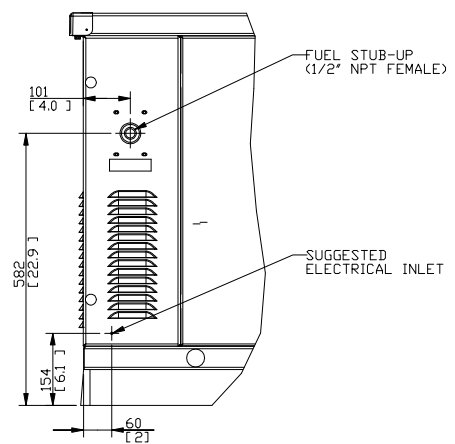
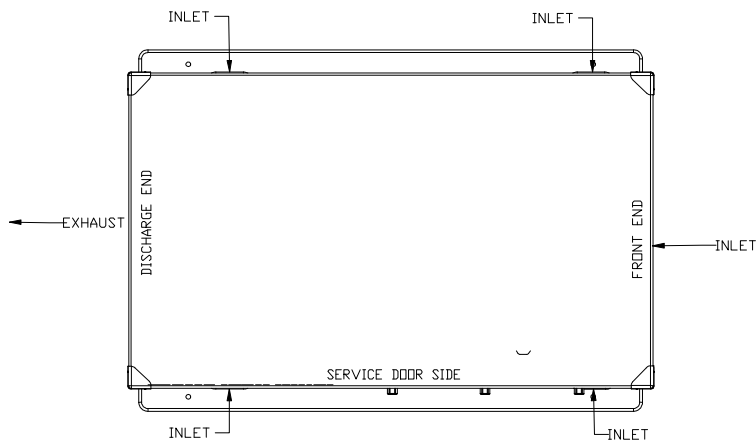


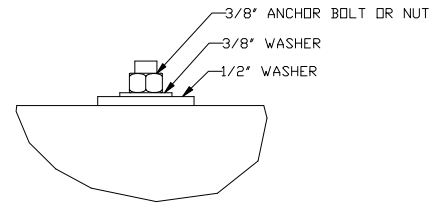
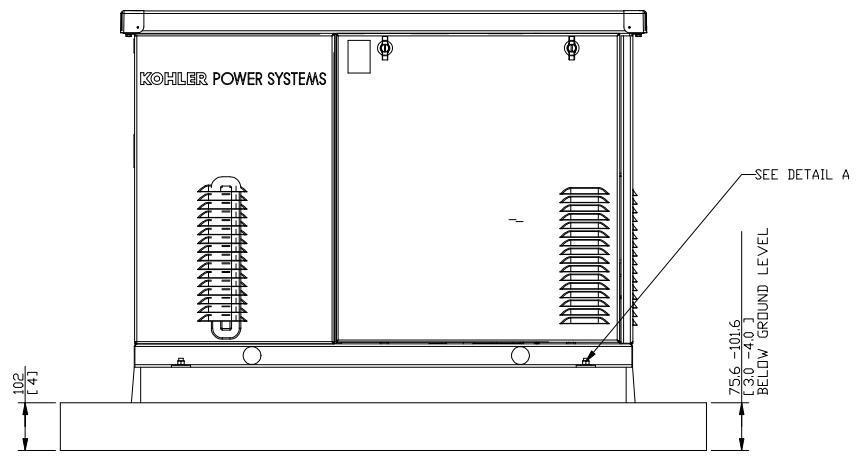
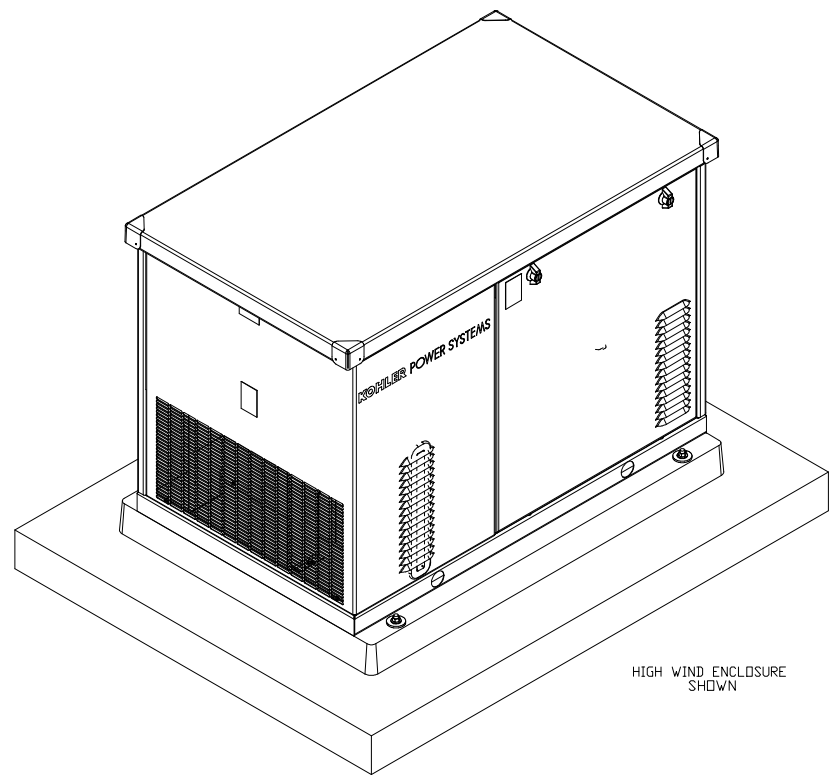
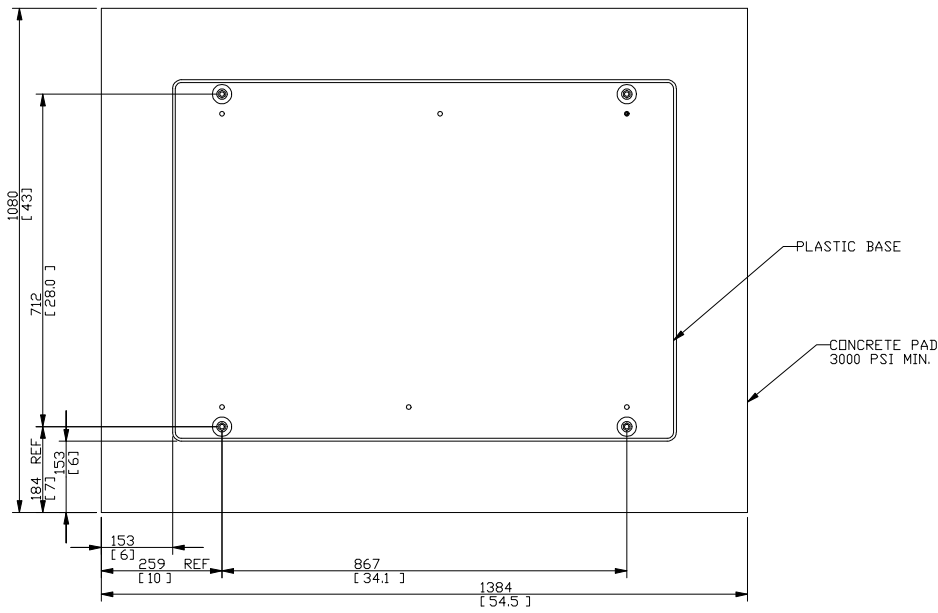
SCALE 0.125



FRONT VIEW (DOOR & SIDE PANEL REMOVED TO SHOW DETAIL)

WEIGHT W/O BATTERY: 182Kg [400LBS]

REV	DATE	REVISION	BY	UNLESS OTHERWISE SPECIFIED DIMENSIONS ARE IN MILLIMETERS TO 3 DECIMALS AND ANGLES ± 1° 30' MAX. SURFACE FINISH AS SHOWN.	TITLE	SCALE	SHEET	OF	PROJ
C	4-30-04	CD-4.5,6'73 FOOT NOTE REMOVED; FRONT DISCHARGE & SERVICE DOOR NOTE ADDED; (A-1) SHEET 2 ADDED. [72259]	MRS		KOHLER CO. POWER SYSTEMS, KOHLER, WI 53044 U.S.A. THIS DRAWING IN DESIGN AND DETAIL IS KOHLER CO. PROPERTY AND MUST NOT BE USED EXCEPT IN CONNECTION WITH KOHLER CO. WORK. ALL RIGHTS OF DESIGN OR INVENTION ARE RESERVED. DIMENSION PRINT ADV-6823	20X	1	3	E
D	6-30-04	SEE SHEET 2 DF 2 [72691]	BTW						
E	8-31-05	SHEET 3 ADDED; [75985]	BTW						
F	12-16-05	SEE SHEET 2 DF 3. [76477]	GFR						



DETAIL A
(TYP. 4 PLACES)
SCALE 1:1000

NOTE:
BOLTED CONNECTION REQUIREMENTS
SHEAR LOAD 150 LBS/ BOLT
PULL-OUT FORCE 200 LBS/BOLT

150 MPH - HIGH WIND MOUNTING DETAIL

REV	DATE	REVISION	BY	UNLESS OTHERWISE SPECIFIED DIMENSIONS ARE IN MILLIMETERS TOLERANCES ARE:	KOHLER CO. METRIC PRO-E	
E	9-1-05	SHEET 3 ADDED. [75985]	BTW	XXX ± 0.25	POWER SYSTEMS, KOHLER, WI 53044 U.S.A.	THIS DRAWING IN DESIGN AND DETAIL IS KOHLER CO. PROPERTY AND MUST NOT BE USED EXCEPT IN CONNECTION WITH KOHLER CO. WORK. ALL RIGHTS OF DESIGN OR INVENTION ARE RESERVED.
F	12-16-05	SEE SHEET 2 OF 3. [76477]	GFR	XXX ± 0.25 ANGLES 1° ± 30' MAX.	ADV-6823	
			APPROVALS	DATE	TITLE	
			BTW	9-1-05	DIMENSION PRINT	
			GMS	9-1-05	SCALE .2X	SHEET 3 OF 3
			JUN	9-1-05	CAD NO.	D